



### AWV Outside wall fans

- Supply of small to medium air volumes at high resistance
- Installation in DN 100 - DN 200 ventilation ducts
- centrifugal impellers made from synthetic material with backward curved blades
- Inlet side mountings for installation in ventilation ducts

- Ideal for renovation and retrofitting
- Solves space problems through external installation
- Internal noise reduced
- Easily removable cover for maintenance and installation
- Integrated shutter
- Up to 740 m<sup>3</sup>/h

#### Motor

- Capacitor motor
- Speed controllable
- Thermal overload protection as standard
- Robust motor with ball bearings, maintenance-free
- IP X4 degree of protection when installed in ventilation ducts with at least 1m of duct on the inlet side

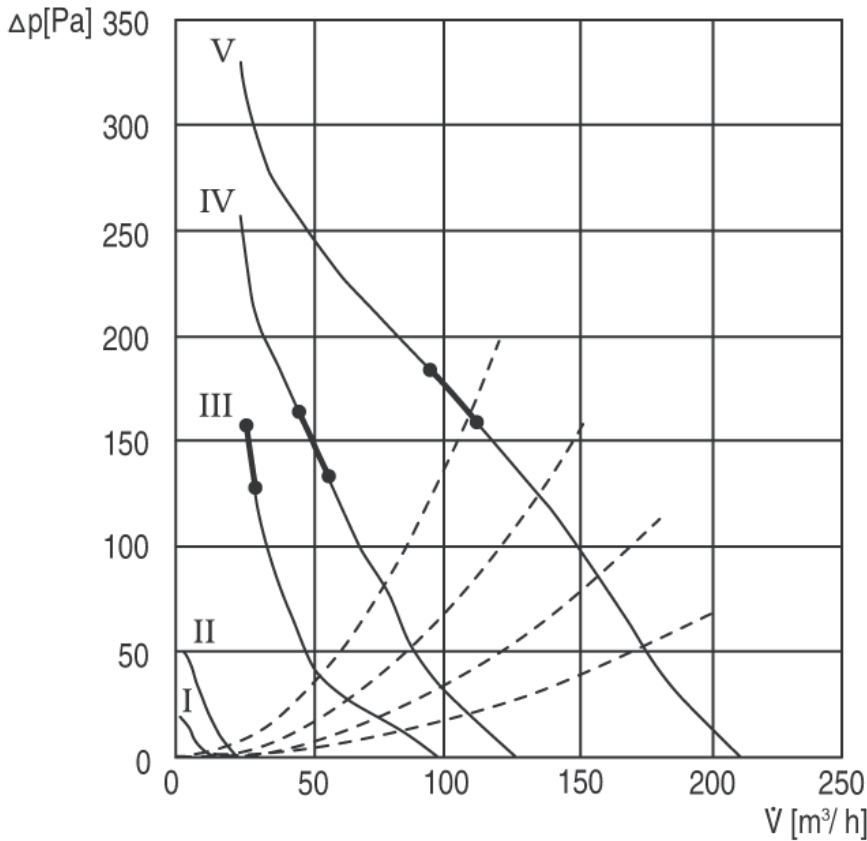
#### Application examples

- Machine extraction unit
- Workplace
- Commercial premises
- Fitness room
- Canteen

#### AWV Product Range

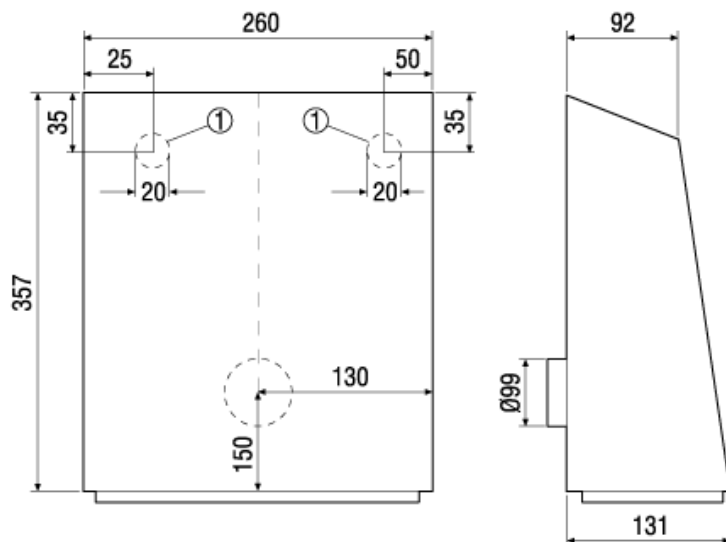
Type	Nominal Size	Rated Voltage	Air flow Volume	Degree of protection (IP)
<b>AWV 10</b>	100mm	230V~	220m <sup>3</sup> /h	X4
<b>AWV 10S</b>	100mm	230V~	320m <sup>3</sup> /h	X4
<b>AWV 15</b>	150mm	230V~	350m <sup>3</sup> /h	X4
<b>AWV 15S</b>	150mm	230V~	620m <sup>3</sup> /h	X4
<b>AWV 20</b>	200mm	230V~	650m <sup>3</sup> /h	X4
<b>AWV 20S</b>	200mm	230V~	740m <sup>3</sup> /h	X4

**Performance Curve AWW10**



Technical data

<b>Air flow volume</b>	220m³/h	<b>Degree of protection (IP)</b>	X4
<b>Rotating speed</b>	1,450 1/min	<b>Insulation class</b>	B
<b>Type of voltage</b>	Alternating current	<b>Housing material</b>	powder coated sheet steel
<b>Rated voltage</b>	230 V	<b>Weight</b>	4.4kg
<b>Power frequency</b>	50 Hz	<b>Nominal size</b>	100mm
<b>Nominal output</b>	62W	<b>Airstream temperature at I<sub>MAX</sub></b>	40°C
<b>I<sub>Max</sub></b>	0.28A	<b>EAN</b>	4012799809944



**Application examples**

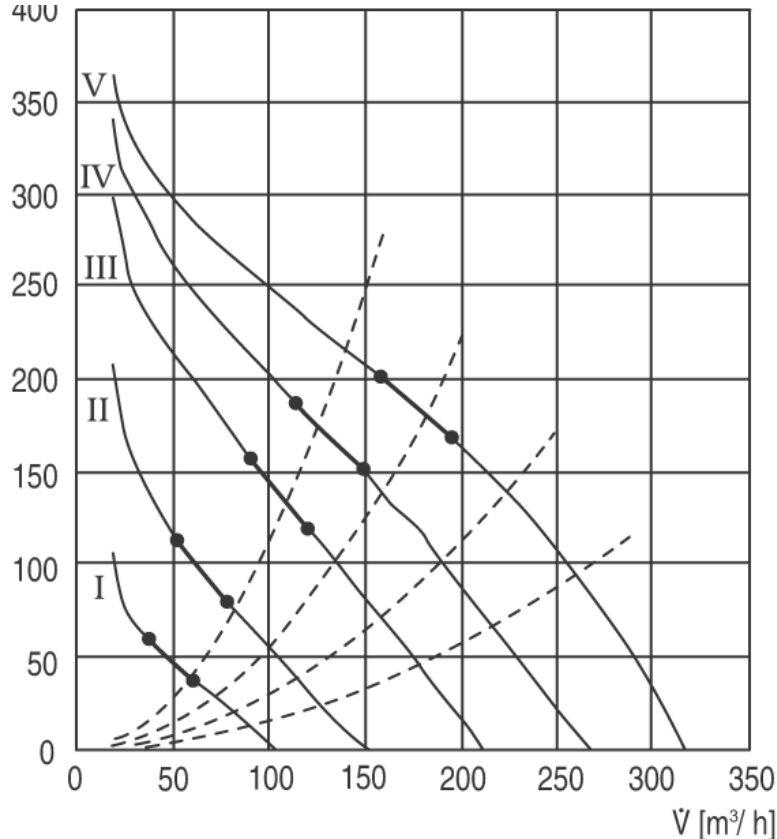
- Machine extraction unit
- Workplace
- Commercial premises
- Fitness room
- Canteen

**Accessories for AWW10**

Disk valve, synthetic material	TK 10
Disk valve, synthetic material	TK 12
Disk valve, synthetic material	TK 15
Disk valve, metal	TM 10
Disk valve, metal	TM 12
Disk valve, metal	TM 15
Disk valve, metal	TM 16
Disk valve, fire protection	TB 10
Disk valve, fire protection	TB 12
Disk valve, fire protection	WBV 10
Disk valve, fire protection	WBV 12
Tubular sound absorber	RSR 10
Tubular sound absorber	RSR 10/50
Air filter	TFE 10-5
Air filter	TFE 10-7
Speed controller	ST 1
Speed controller	STU 1
5-step transformer	TRE 0,4

**Performance Curve AWW10S**

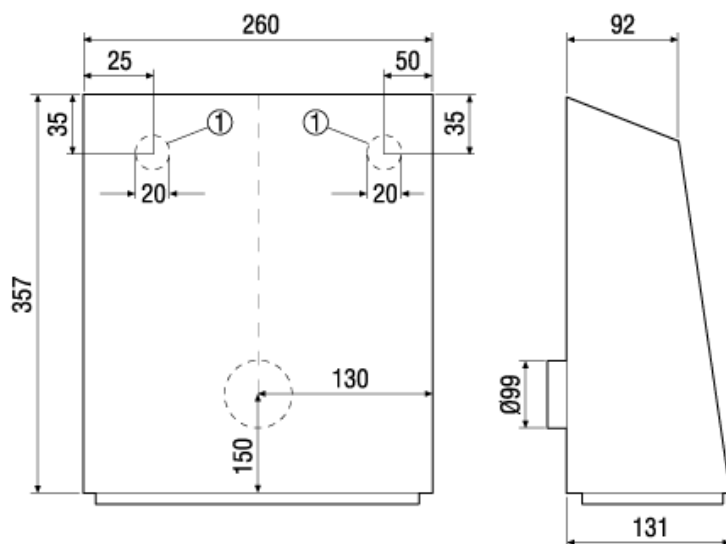
$\Delta p_{\text{ra}} 400$



**Technical data**

<b>Air flow volume</b>	320m <sup>3</sup> /h
<b>Rotating speed</b>	2,305 1/min
<b>Type of voltage</b>	Alternating current
<b>Rated voltage</b>	230 V
<b>Power frequency</b>	50 Hz
<b>Nominal output</b>	68W
<b>I<sub>Max</sub></b>	0.3A

<b>Degree of protection (IP)</b>	X4
<b>Insulation class</b>	B
<b>Housing material</b>	powder coated sheet steel
<b>Weight</b>	4.4kg
<b>Nominal size</b>	100mm
<b>Airstream temperature at I<sub>MAX</sub></b>	40°C
<b>EAN</b>	4012799809951



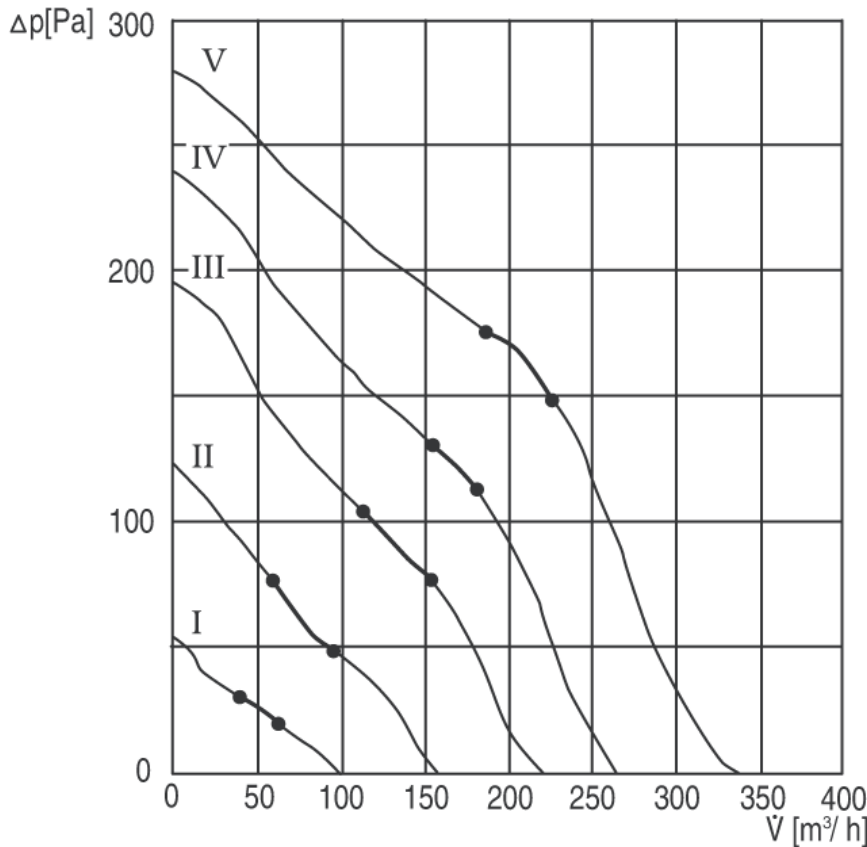
**Application examples**

- Machine extraction unit
- Workplace
- Commercial premises
- Fitness room
- Canteen

**Accessories for AWW10S**

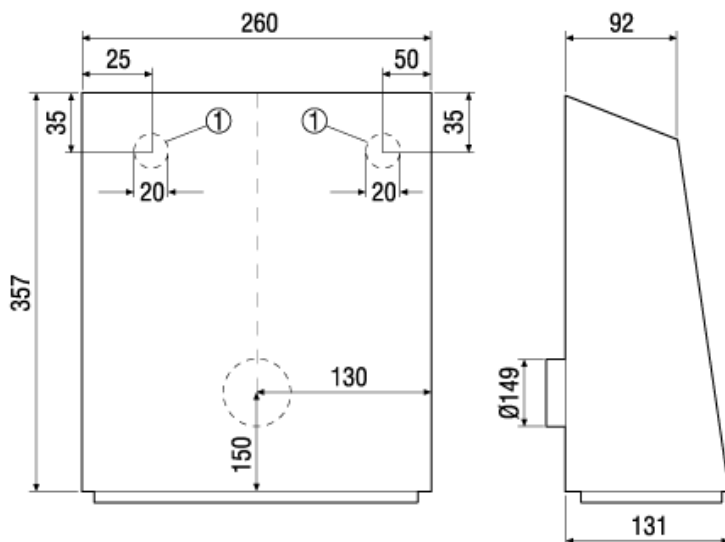
Disk valve, synthetic material	TK 10
Disk valve, synthetic material	TK 12
Disk valve, synthetic material	TK 15
Disk valve, metal	TM 10
Disk valve, metal	TM 12
Disk valve, metal	TM 15
Disk valve, metal	TM 16
Disk valve, fire protection	TB 10
Disk valve, fire protection	TB 12
Disk valve, fire protection	WBV 10
Disk valve, fire protection	WBV 12
Tubular sound absorber	RSR 10
Tubular sound absorber	RSR 10/50
Air filter	TFE 10-5
Air filter	TFE 10-7
Speed controller	ST 1
Speed controller	STU 1
5-step transformer	TRE 0,4

**Performance Curve AWW15**



Technical data

<b>Air flow volume</b>	350m <sup>3</sup> /h	<b>Degree of protection (IP)</b>	X4
<b>Rotating speed</b>	2,180 1/min	<b>Insulation class</b>	B
<b>Type of voltage</b>	Alternating current	<b>Housing material</b>	powder coated sheet steel
<b>Rated voltage</b>	230 V	<b>Weight</b>	4.6kg
<b>Power frequency</b>	50 Hz	<b>Nominal size</b>	150mm
<b>Nominal output</b>	70W	<b>Airstream temperature at I<sub>MAX</sub></b>	40°C
<b>I<sub>Max</sub></b>	0.3A	<b>EAN</b>	4012799809968



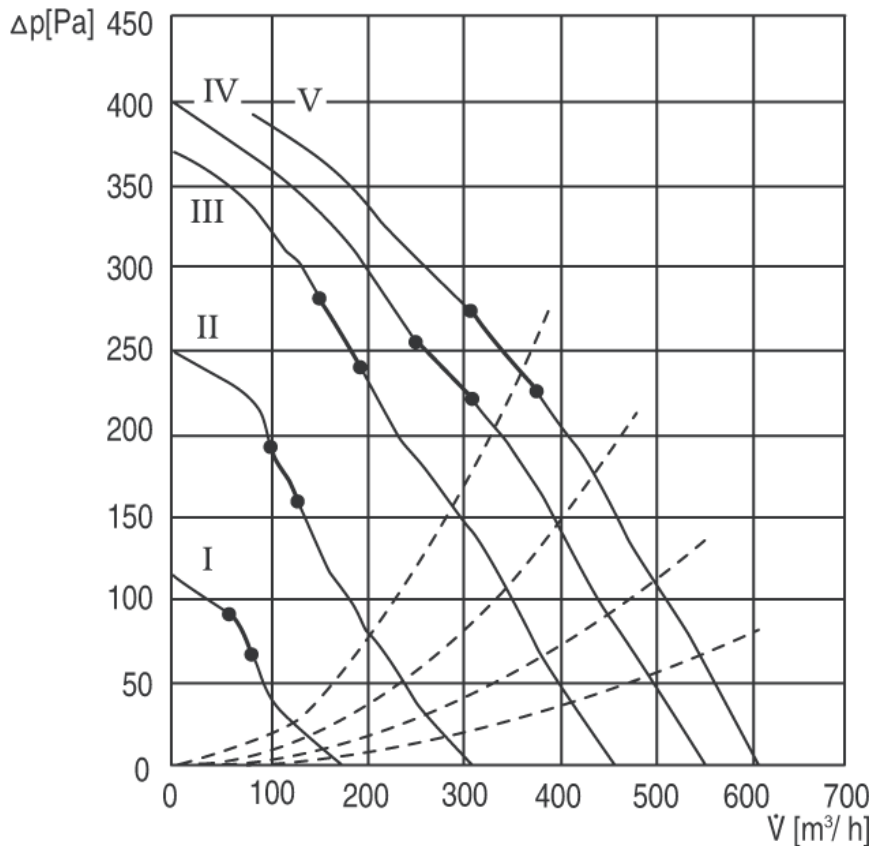
**Application examples**

- Machine extraction unit
- Workplace
- Commercial premises
- Fitness room
- Canteen

**Accessories for AWW15**

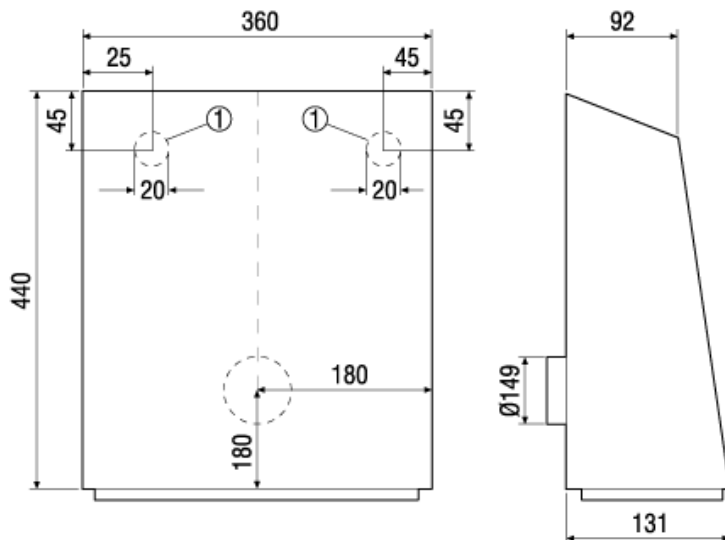
Disk valve, synthetic material	TK 10
Disk valve, synthetic material	TK 12
Disk valve, synthetic material	TK 15
Disk valve, metal	TM 10
Disk valve, metal	TM 12
Disk valve, metal	TM 15
Disk valve, metal	TM 16
Disk valve, fire protection	TB 10
Disk valve, fire protection	TB 12
Disk valve, fire protection	TB 15
Disk valve, fire protection	WBV 10
Disk valve, fire protection	WBV 12
Tubular sound absorber	RSR 15
Tubular sound absorber	RSR 15/50
Air filter	TFE 15-5
Air filter	TFE 15-7
Speed controller	ST 1
Speed controller	STU 1
5-step transformer	TRE 0,4

**Performance Curve AWW15S**



**Technical data**

<b>Air flow volume</b>	620m³/h	<b>Degree of protection (IP)</b>	X4
<b>Rotating speed</b>	2,620 1/min	<b>Insulation class</b>	B
<b>Type of voltage</b>	Alternating current	<b>Housing material</b>	powder coated sheet steel
<b>Rated voltage</b>	230 V	<b>Weight</b>	7.3kg
<b>Power frequency</b>	50 Hz	<b>Nominal size</b>	150mm
<b>Nominal output</b>	111W	<b>Airstream temperature at I<sub>MAX</sub></b>	40°C
<b>I<sub>Max</sub></b>	0.52A	<b>EAN</b>	4012799809975



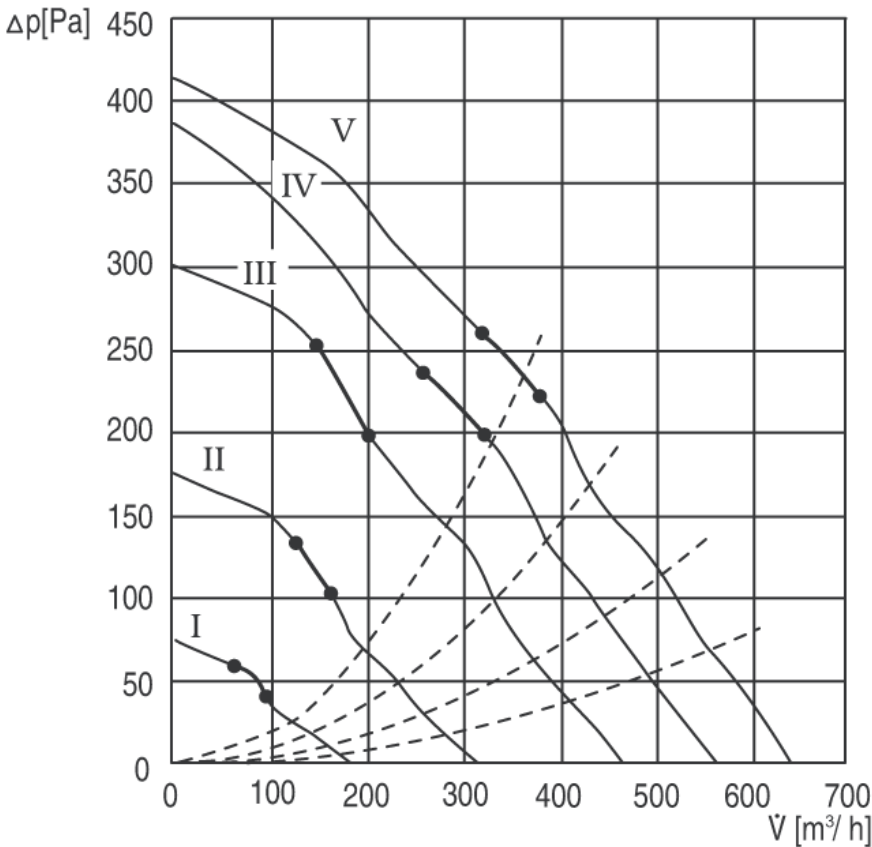
**Application examples**

- Machine extraction unit
- Workplace
- Commercial premises
- Fitness room
- Canteen

**Accessories for AWW15S**

Disk valve, synthetic material	TK 10
Disk valve, synthetic material	TK 12
Disk valve, synthetic material	TK 15
Disk valve, metal	TM 10
Disk valve, metal	TM 12
Disk valve, metal	TM 15
Disk valve, metal	TM 16
Disk valve, fire protection	TB 10
Disk valve, fire protection	TB 12
Disk valve, fire protection	TB 15
Disk valve, fire protection	WBV 10
Disk valve, fire protection	WBV 12
Tubular sound absorber	RSR 15
Tubular sound absorber	RSR 15/50
Air filter	TFE 15-5
Air filter	TFE 15-7
Speed controller	ST 1
Speed controller	STU 1
5-step transformer	TRE 0,6

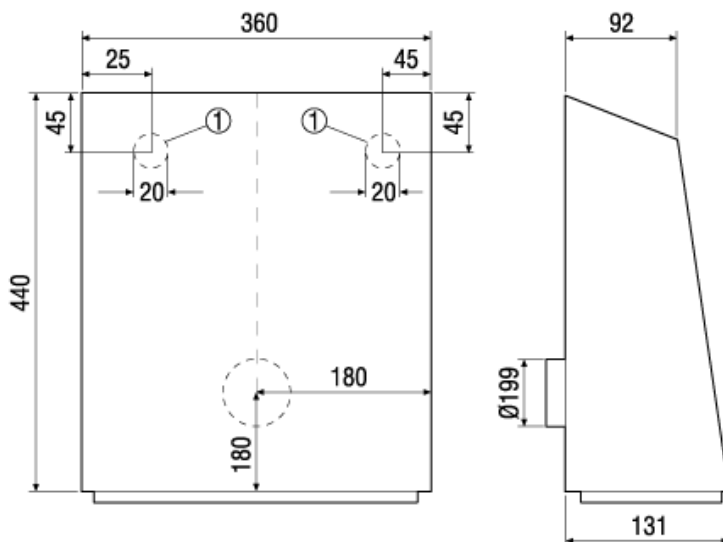
**Performance Curve AWW20**



**Technical data**

<b>Air flow volume</b>	650m³/h
<b>Rotating speed</b>	2,620 1/min
<b>Type of voltage</b>	Alternating current
<b>Rated voltage</b>	230 V
<b>Power frequency</b>	50 Hz
<b>Nominal output</b>	112W
<b>I<sub>Max</sub></b>	0.52A

<b>Degree of protection (IP)</b>	X4
<b>Insulation class</b>	B
<b>Housing material</b>	powder coated sheet steel
<b>Weight</b>	7.5kg
<b>Nominal size</b>	200mm
<b>Airstream temperature at I<sub>MAX</sub></b>	40°C
<b>EAN</b>	4012799809982



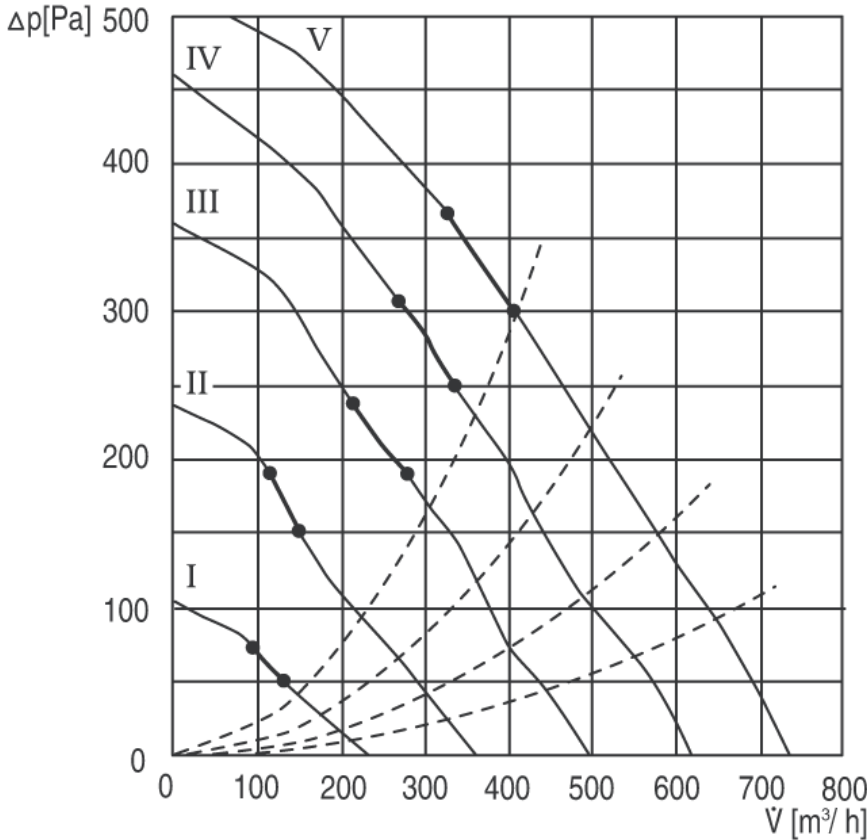
**Application examples**

- Machine extraction unit
- Workplace
- Commercial premises
- Fitness room
- Canteen

**Accessories for AWW20**

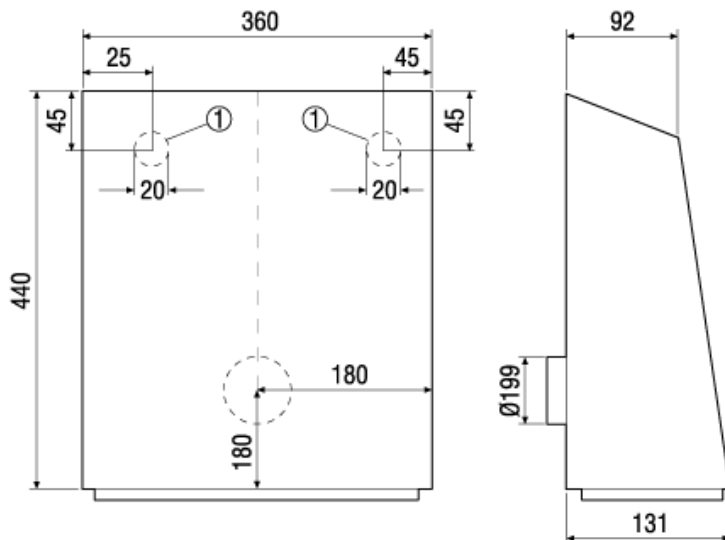
Disk valve, synthetic material	TK 10
Disk valve, synthetic material	TK 12
Disk valve, synthetic material	TK 15
Disk valve, metal	TM 10
Disk valve, metal	TM 12
Disk valve, metal	TM 15
Disk valve, metal	TM 16
Disk valve, fire protection	TB 10
Disk valve, fire protection	TB 12
Disk valve, fire protection	TB 15
Disk valve, fire protection	WBV 10
Disk valve, fire protection	WBV 12
Tubular sound absorber	RSR 20
Tubular sound absorber	RSR 20/50
Air filter	TFE 20-5
Air filter	TFE 20-7
Speed controller	ST 1
Speed controller	STU 1
5-step transformer	TRE 0,6

**Performance Curve AWW20S**



Technical data

<b>Air flow volume</b>	740m <sup>3</sup> /h	<b>Degree of protection (IP)</b>	X4
<b>Rotating speed</b>	2,510 1/min	<b>Insulation class</b>	B
<b>Type of voltage</b>	Alternating current	<b>Housing material</b>	powder coated sheet steel
<b>Rated voltage</b>	230 V	<b>Weight</b>	7.9kg
<b>Power frequency</b>	50 Hz	<b>Nominal size</b>	200mm
<b>Nominal output</b>	162W	<b>Airstream temperature at I<sub>MAX</sub></b>	40°C
<b>I<sub>Max</sub></b>	0.7A	<b>EAN</b>	4012799809999



**Application examples**

- Machine extraction unit
- Workplace
- Commercial premises
- Fitness room
- Canteen

**Accessories for AWW20S**

Disk valve, synthetic material	TK 10
Disk valve, synthetic material	TK 12
Disk valve, synthetic material	TK 15
Disk valve, metal	TM 10
Disk valve, metal	TM 12
Disk valve, metal	TM 15
Disk valve, metal	TM 16
Disk valve, fire protection	TB 10
Disk valve, fire protection	TB 12
Disk valve, fire protection	TB 15
Disk valve, fire protection	WBV 10
Disk valve, fire protection	WBV 12
Tubular sound absorber	RSR 20
Tubular sound absorber	RSR 20/50
Air filter	TFE 20-5
Air filter	TFE 20-7
Speed controller	ST 1
Speed controller	STU 1
5-step transformer	TRE 1,6