

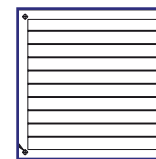


BASIC Small capacity axial fans

BASIC fans are suitable by wall or panel mounting for ventilation of premises, offices, laboratories, shops, etc. Available in 4 models at a competitive price. Suitable to convey clean air at temperature range of -10°C to +40°C

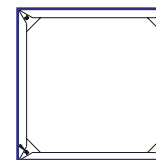
- drawn epoxy coated steel sheet with wide radius inlet cone.
- Aluminium impeller.
- Execution 5 air-flow from motor to impeller
- Inlet protection guard
- Shielded pole motor, single phase with supply cable and thermal protection

Accessories for BASIC



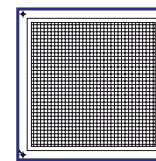
Gravity Shu

Avoids heat loss and entry of wind, rain and birds



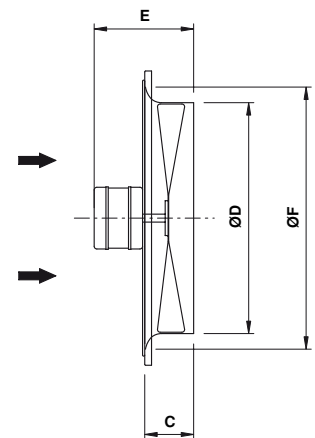
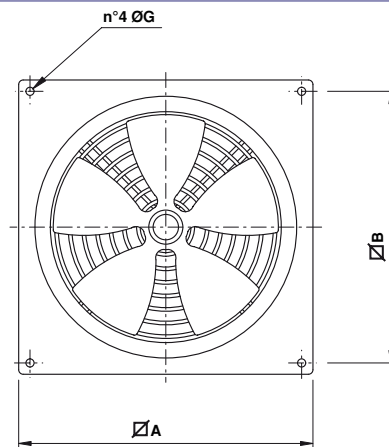
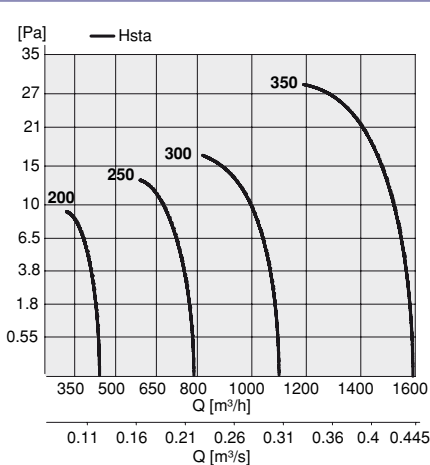
Spacer

Support sfan when width of wall is smaller than dimension 'C'



Protection Guard

Avoids accidental contact with impeller



BASIC Product Range

Type	U	P	Pm [kW]	In [A]	IP/CL	Lp db [A]	A [mm]	B [mm]	C [mm]	D [mm]	E [mm]	F [mm]	G [mm]	Weight [kg]
BASIC 200	M	4	0.048	0.33	20/B	34	290	250	88	210	150	260	9	2.3
BASIC 250	M	4	0.048	0.33	20/B	34	340	300	88	260	150	315	9	2.6
BASIC 300	M	4	0.105	0.46	20/B	44	390	350	88	310	155	365	9	3.6
BASIC 350	M	4	0.105	0.98	20/B	50	440	400	108	360	190	410	9	4.4