



### ERK Plastic In-Line Tube Fans

ERK plastic in-line tube fans are manufactured in large quantities and are extremely inexpensive. They are versatile and can be utilised to aerate and deserate.

#### External rotor with a millionfold proven reliability

The external rotor motors used have proven their reliability in rough everyday operation over decades.

- Backward curved centrifugal fan
- 100% voltage controllable
- Integrated thermal contact
- Maintenance-free, long-life ball bearings
- Plastic housing PA6, RAL7035



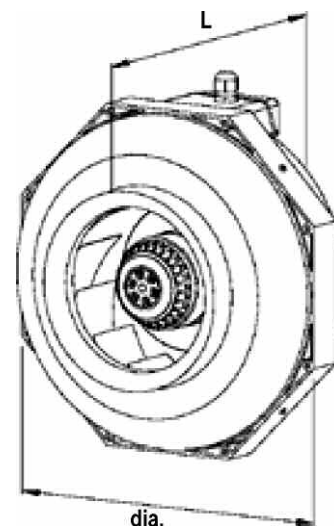
#### Mounting Bracket

The assembly console can be mounted in eight different positions



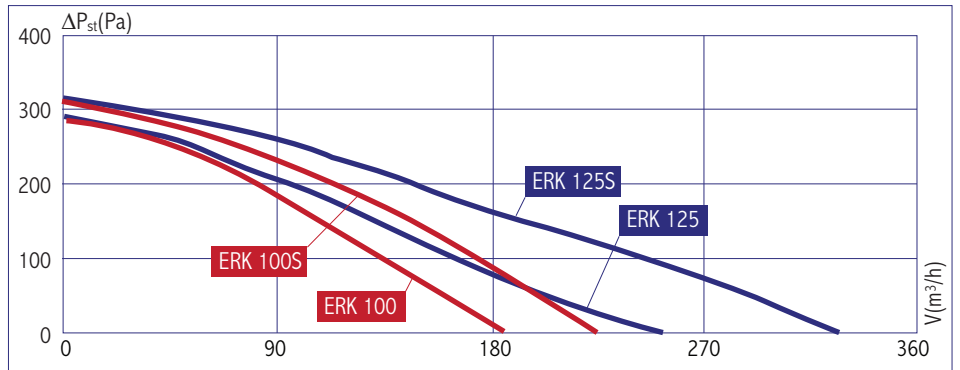
#### Accessories

A wide range of accessories offers flexibility to various ventilating tasks



#### ERK Product Range

Type	U [V]	f [Hz]	L <sub>WA2</sub> [dB (A)]	L <sub>WA5</sub> [dB (A)]	η <sub>fa</sub> [%]	η <sub>t</sub> [%]	dia. [mm]	L [mm]	Weight [kg]	Wiring diagram
ERK 100	230V~	50	50	63	9.5	9.8	245	220	2.3	116403
ERK 100S	230V~	50	53	65	11	11.7	245	220	2.3	116471
ERK 125	230V~	50	49	62	10	10.3	245	220	2.2	116403
ERK 125S	230V~	50	51	65	13.2	13.8	245	220	2.3	116471
ERK 150	230V~	50	54	65	19.4	20.2	340	230	2.9	116471
ERK 150S	230V~	50	59	70	25.3	27.5	340	230	3.2	116471
ERK 160	230V~	50	53	67	20.1	21	340	230	2.8	116471
ERK 160S	230V~	50	57	69	25.4	27.1	340	230	3.2	116471
ERK 200	230V~	50	56	71	26.7	27.5	340	230	3.2	116471
ERK 200S	230V~	50	62	74	26.6	27.6	340	230	4.2	116471
ERK 250	230V~	50	56	70	27.2	27.5	340	230	3.1	116471
ERK 250S	230V~	50	57	70	28.2	28.5	340	230	4.1	116471



**Type**  
**Frequency**  
**Max. Medium Temperature**  
**Air Volume Maximum**  
**Max. Power Consumption**  
**Max. Operating Current**

**ERK 100**

230V/50Hz  
45°C  
190m³/hr  
65W  
0.3A  
63/-/50 dB(A)

**ERK 100S**

230V/50Hz  
70°C  
230m³/hr  
65W  
0.3A  
65/65/53 dB(A)

**ERK 125**

230V/50Hz  
70°C  
250m³/hr  
70W  
0.4A  
62/-/49 dB(A)

**ERK 125S**

230V/50Hz  
70°C  
330m³/hr  
70W  
0.3A  
65/64/51 dB(A)

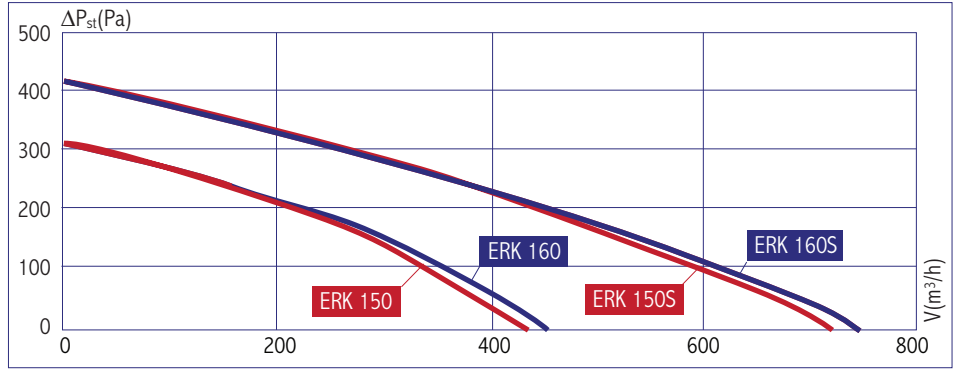
**Sound power level** Inlet/Outlet/Casing Outbreak

**Specific Accessories:**

MTY . . . Electronic Controller		MTY1	MTY1	MTY1	MTY1
ETY . . . Electronic Controller		ETY15	ETY15	ETY15	ETY15
MRK . . . Mounting Bracket		MRK1	MRK1	MRK1	MRK1

**Optional Accessories:**

5-Step Transformer without motor protection		TEE 015	TEE 015	TEE 015	TEE 015
7-Step Transformer without motor protection		TES 145	TES 145	TES 145	TES 145
Isolator Switch		GS01	GS01	GS01	GS01
Fast Clamps 1 set = 2 pcs.		VM 100	VM 100	VM 125	VM 125
Back Draught Shutter		RSK 100	RSK 100	RSK 125	RSK 125
Back Draught Shutter with seal		RSK 100D	RSK 100D	RSK 125D	RSK 125D
Protection Grille		SG 100	SG 100	SG 125	SG 125
Duct Silencer rigid, 1m		SDS 100	SDS 100	SDS 125	SDS 125
Duct Silencer flexibel, 1m		SDF 100	SDF 100	SDF 125	SDF 125
Filter Box with mat filter G3		FV 100	FV 100	FT 125	FT 125
Filter Box for Bag Filter without filter		FT 100	FT 100	FT 125	FT 125
Filter Box with Filter F5 and Heating Coil		FTW 100	FTW 100	FTW 125	FTW 125



**Type**  
**Frequency**  
**Max. Medium Temperature**  
**Air Volume Maximum**  
**Max. Power Consumption**  
**Max. Operating Current**

**ERK 150**  
230V/50Hz  
70°C  
440m³/hr  
65W  
0.3A  
65/61/54 dB(A)

**ERK 150S**  
230V/50Hz  
75°C  
720m³/hr  
100W  
0.5A  
70/67/59 dB(A)

**ERK 160**  
230V/50Hz  
70°C  
450m³/hr  
65W  
0.3A  
67/64/53 dB(A)

**ERK 160S**  
230V/50Hz  
70°C  
750m³/hr  
100W  
0.5A  
69/67/57 dB(A)

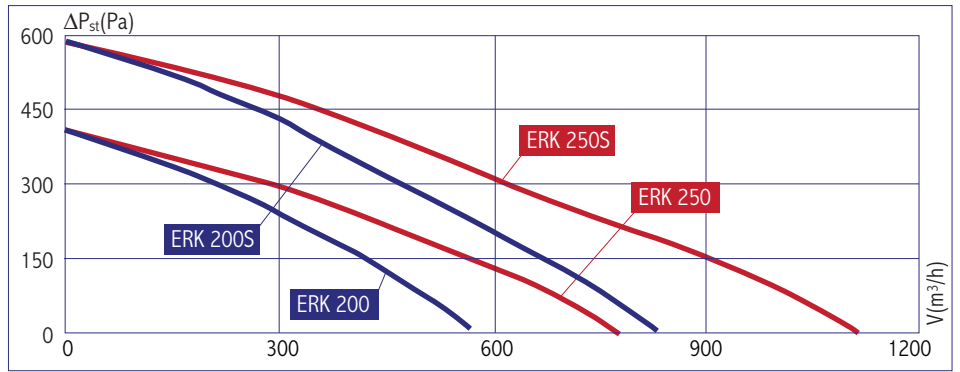
**Sound power level** Inlet/Outlet/Casing Outbreak

**Specific Accessories:**

MTY . . . Electronic Controller		MTY1	MTY1	MTY1	MTY1
ETY . . . Electronic Controller		ETY15	ETY15	ETY15	ETY15
MRK . . . Mounting Bracket		MRK2	MRK2	MRK2	MRK2

**Optional Accessories:**

5-Step Transformer without motor protection		TEE 015	TEE 015	TEE 015	TEE 015
7-Step Transformer without motor protection		TES 145	TES 145	TES 145	TES 145
Isolator Switch		GS01	GS01	GS01	GS01
Fast Clamps 1 set = 2 pcs.		VM 150	VM 150	VM 160	VM 160
Back Draught Shutter		RSK 150	RSK 150	RSK 160	RSK 160
Back Draught Shutter with seal		RSK 150D	RSK 100D	RSK 160D	RSK 160D
Protection Grille		SG 150	SG 150	SG 160	SG 160
Duct Silencer rigid, 1m		SDS 150	SDS 150	SDS 160	SDS 160
Duct Silencer flexibel, 1m		SDF 150	SDF 150	SDF 160	SDF 160
Filter Box with mat filter G3		FV 150	FV 150	FT 160	FT 160
Filter Box for Bag Filter without filter		FT 150	FT 150	FT 160	FT 160
Filter Box with Filter F5 and Heating Coil		FTW 150	FTW 150	FTW 160	FTW 160



Type	ERK 200	ERK 200S	ERK 250	ERK 250S
Frequency	230V/50Hz	230V/50Hz	230V/50Hz	230V/50Hz
Max. Medium Temperature	65°C	50°C	65°C	50°C
Air Volume Maximum	780m³/hr	1110m³/hr	810m³/hr	1170m³/hr
Max. Power Consumption	100W	195W	100W	195W
Max. Operating Current	0.5A	0.9A	0.5A	0.9A
Sound power level Inlet/Outlet/Casing Outbreak	71/68/56 dB(A)	74/76/62 dB(A)	70/70/56 dB(A)	70/71/57 dB(A)

**Specific Accessories:**

Electronic Controller		MTY1	MTY1	MTY1	MTY1
Electronic Controller		ETY15	ETY15	ETY15	ETY15
Mounting Bracket		MRK2	MRK2	MRK2	MRK2

**Optional Accessories:**

5-Step Transformer without motor protection		TEE 015	TEE 015	TEE 015	TEE 015
7-Step Transformer without motor protection		TES 145	TES 145	TES 145	TES 145
Isolator Switch		GS01	GS01	GS01	GS01
Fast Clamps 1 set = 2 pcs.		VM 200	VM 200	VM 250	VM 250
Back Draught Shutter		RSK 200	RSK 200	RSK 250	RSK 250
Back Draught Shutter with seal		RSK 200D	RSK 200D	RSK 200D	RSK 200D
Protection Grille		SG 200	SG 200	SG 250	SG 250
Duct Silencer rigid, 1m		SDS 200	SDS 200	SDS 250	SDS 250
Duct Silencer flexibel, 1m		SDF 200	SDF 200	SDF 250	SDF 250
Filter Box with mat filter G3		FV 200	FV 200	FT 250	FT 250
Filter Box for Bag Filter without filter		FT 200	FT 200	FT 250	FT 250
Filter Box with Filter F5 and Heating Coil		FTW 200	FTW 200	FTW 250	FTW 250